

2

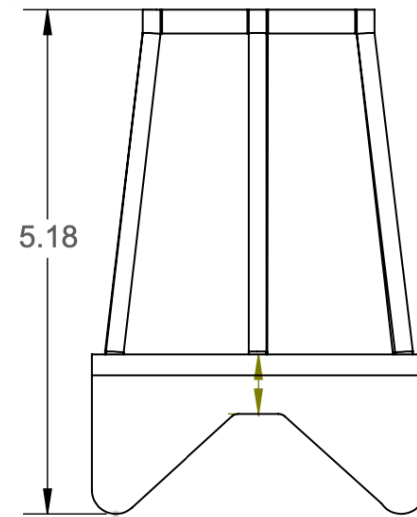
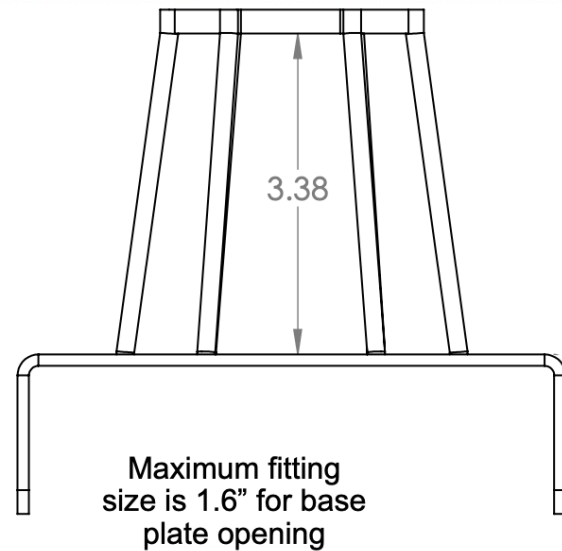
1



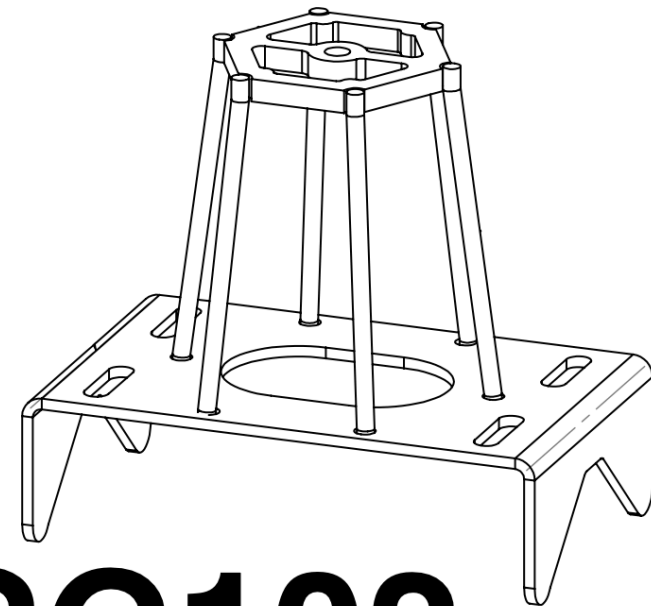
The SG102 Inline is to be used on supply lines with threaded fittings and Weld-o-let fittings. This guard is designed so that in the event of a strike, the baseplate will help prevent the guard from rotating on the supply line when coming in contact with the fitting.

B

B

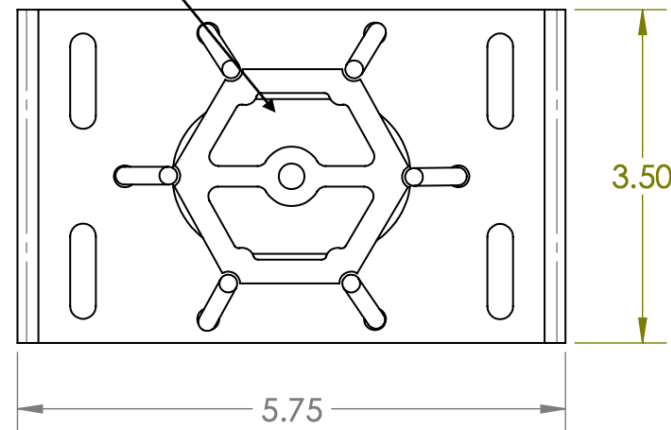


(Fits supply lines up to 2")



A

A



SG102 INLINE

2

1