

2

1

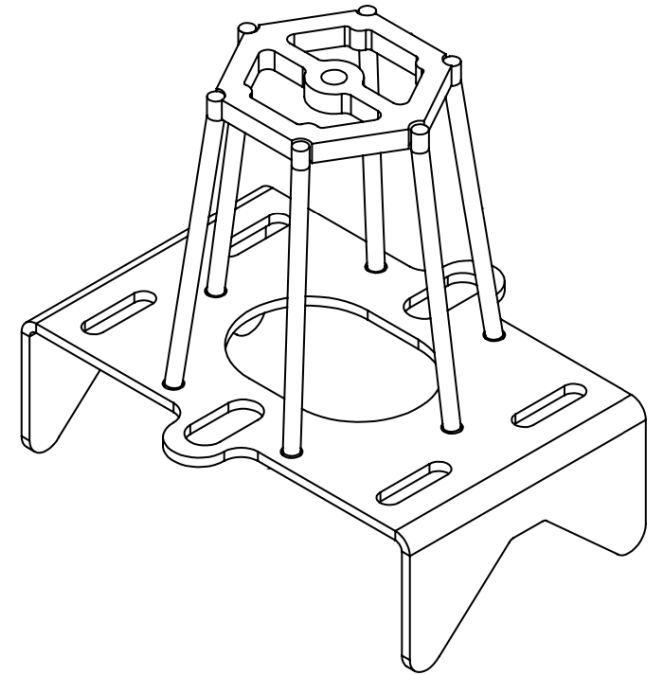
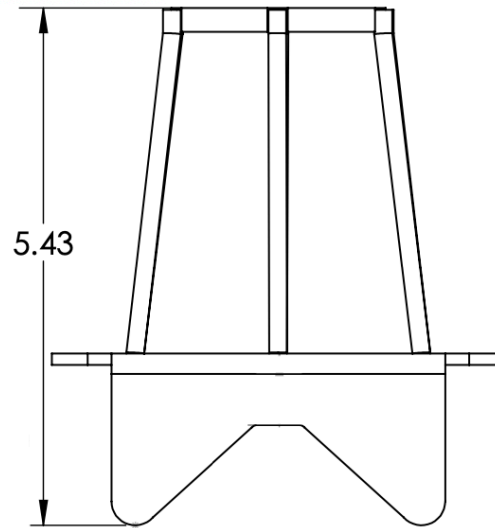
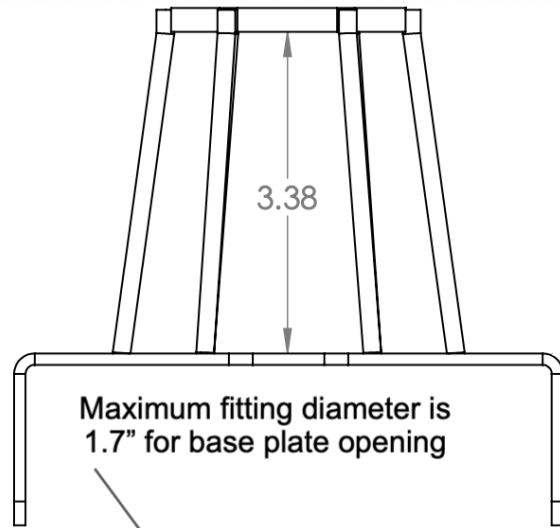


The SG233 Inline Mechanical T. guard is designed to be used on supply lines with Mechanical T. / Saddle Strap Fittings. This guard is designed so that in the event of a strike, the baseplate opening will help prevent the guard from rotating on the supply line when coming in contact with the fitting.

(Fits supply line sizes up to 2")

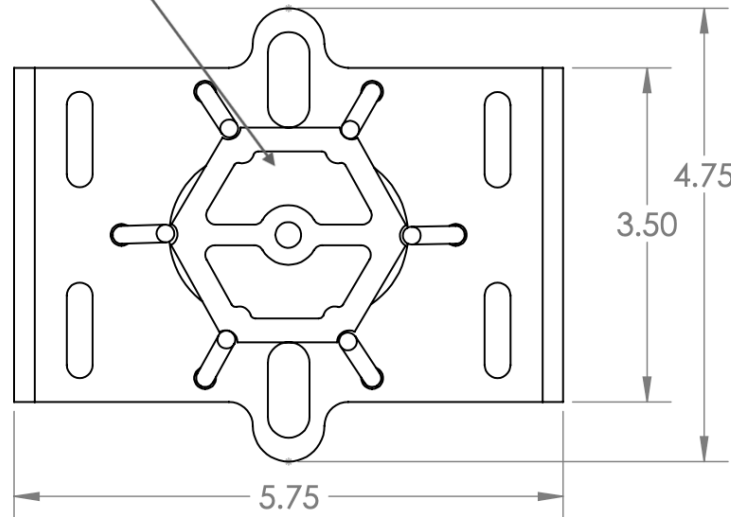
B

B



A

A



SG233 INLINE MECHANICAL T.

www.sprinkguard.com info@sprinkguard.com 877-274-7976

Copyright 2023

2

1