

2

1

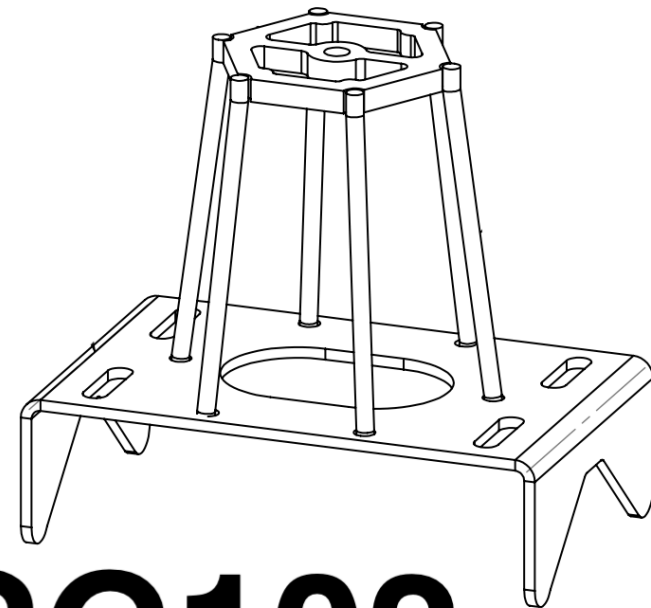
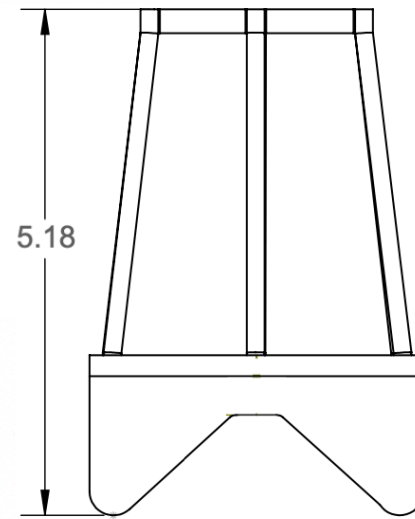
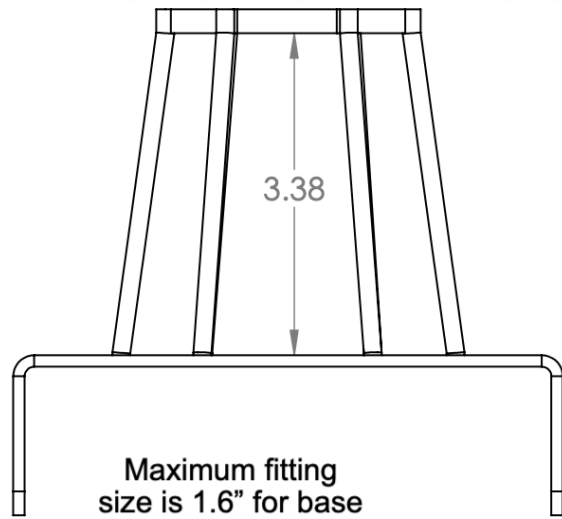


The SG102 Inline is to be used on supply lines with threaded fittings and Weld-o-let fittings. This guard is designed so that in the event of a strike, the baseplate opening will stop the guard from rotating on the supply line when coming in contact with the fitting, thus preventing a sprinkler head strike.

(Fits supply lines up to 2")

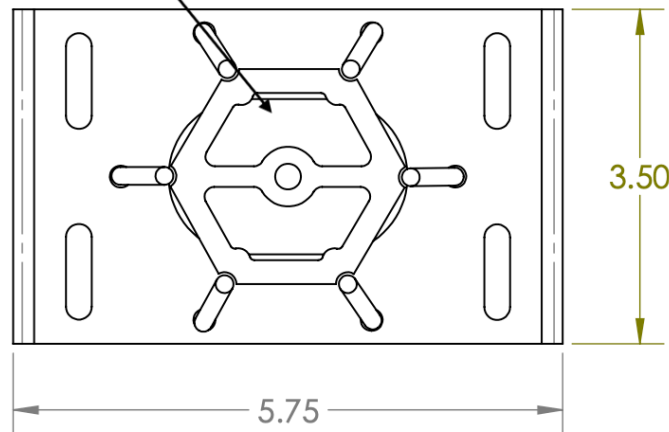
B

B



A

A



SG102 INLINE

2

1