

2

1

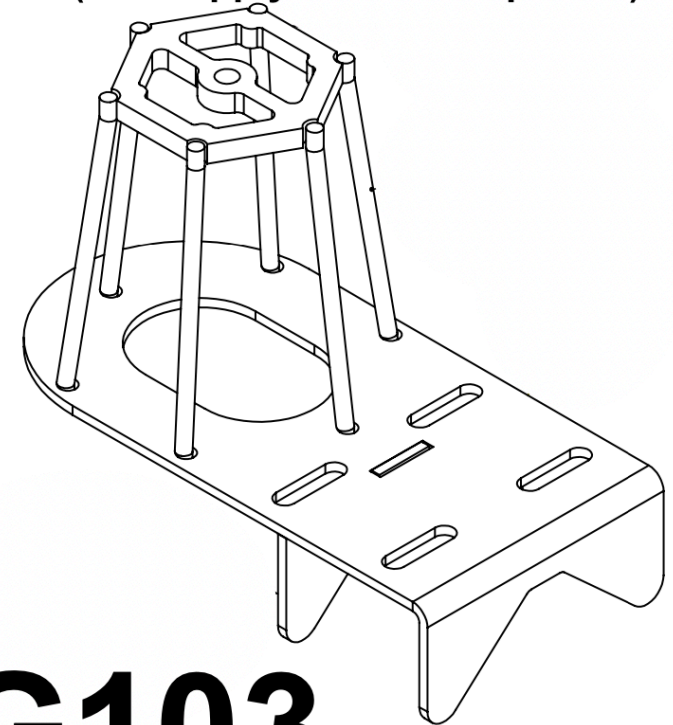
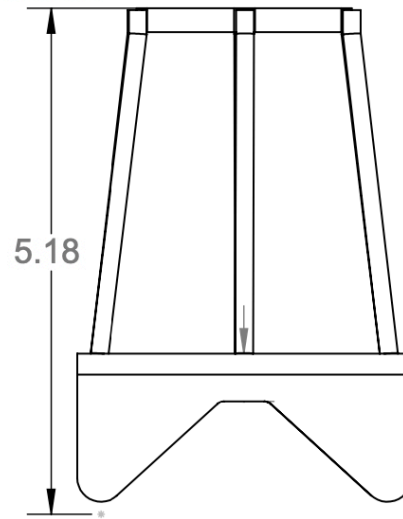
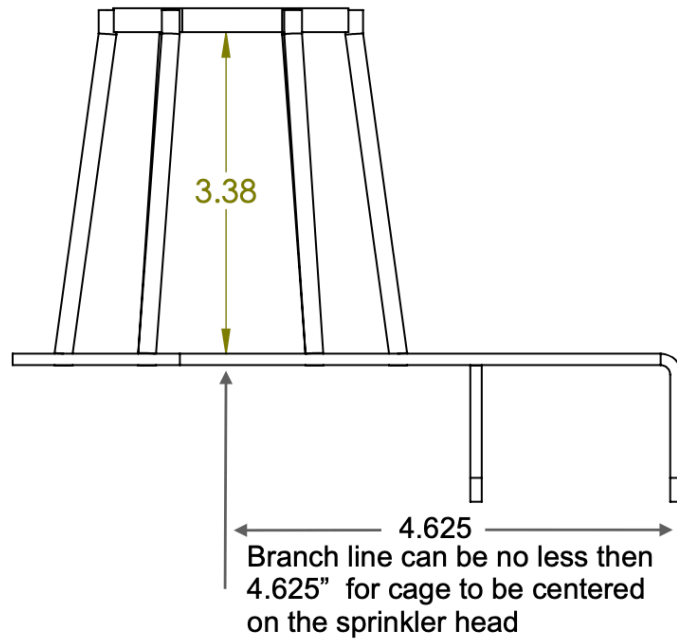


The SG103 End of Line is designed to be used on threaded 90 fittings. This guard is designed so that in the event of a strike, the baseplate opening will stop the guard from rotating on the supply line when coming in contact with the fitting, thus preventing a sprinkler head strike. (Please refer to the SG231 if you have grooved / ADACAP fittings. If you branch line is less than 4.625" to the center of the sprinkler head please refer to the SG143)

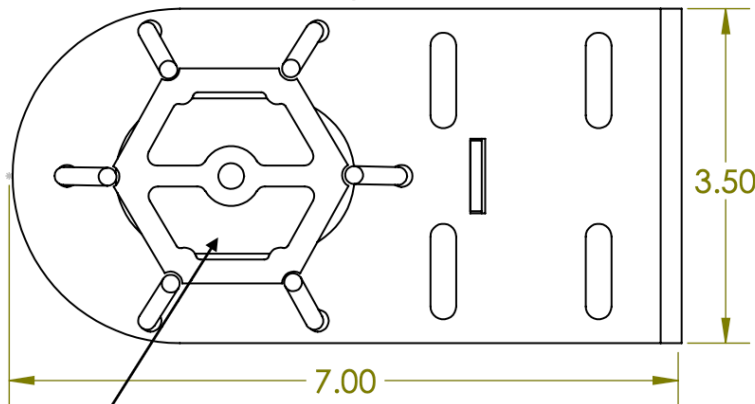
B

(Fits supply line sizes up to 2")

B



A



A

SG103 END OF LINE

Maximum fitting diameter is 1.6" for base plate opening

www.sprinkguard.com info@sprinkguard.com 877-274-7976

Copyright 2023

2

1