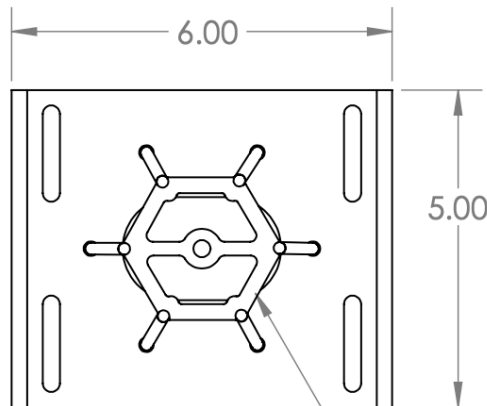
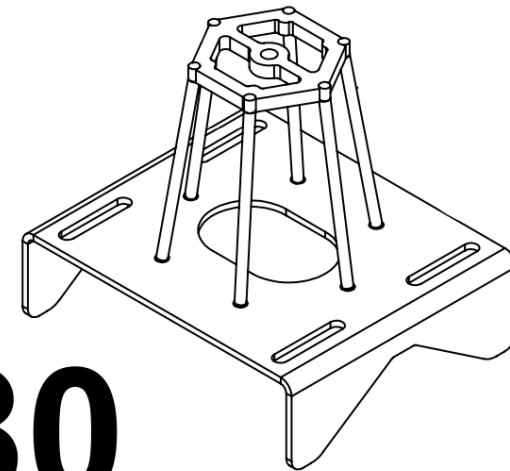
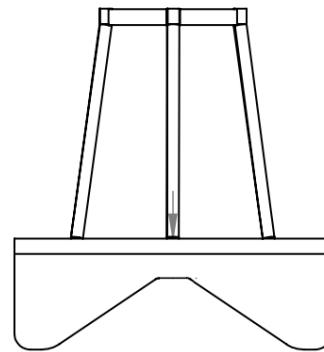
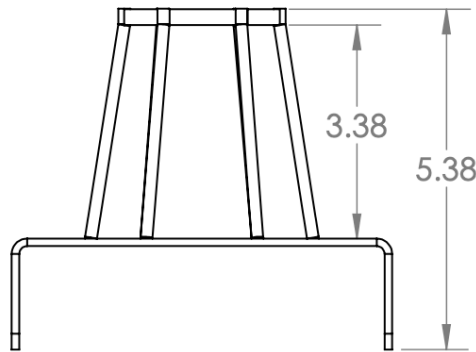




The SG180 Inline is to be used on supply lines with threaded fittings and Weld-o-let fittings. This guard is designed so that in the event of a strike, the baseplate will help prevent the guard from rotating on the supply line when coming in contact with fitting.

(Fits supply line sizes from 2 1/2" to 3")



Maximum fitting size is 1.6" for base plate opening

SG180 INLINE 5" BASE