

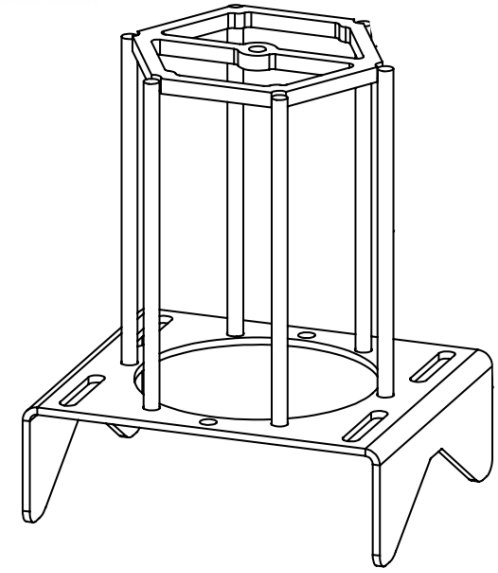
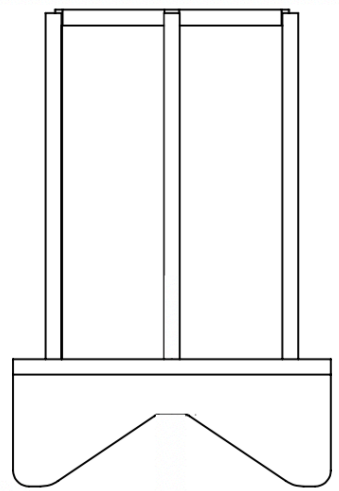
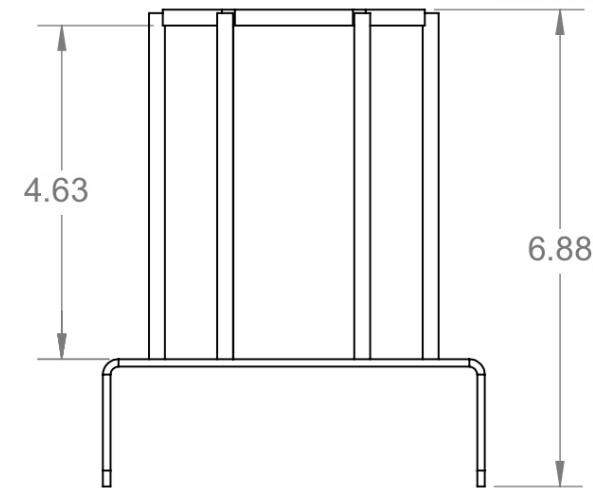
2

1



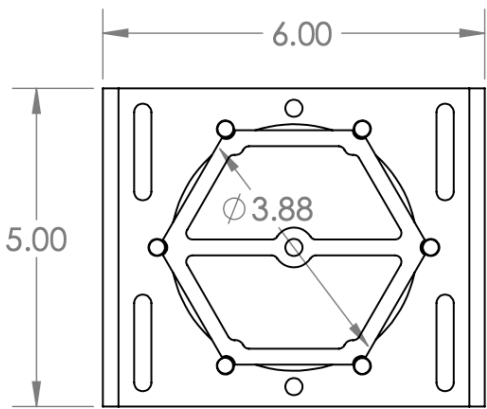
B

B



A

A



# SG511 ESFR INLINE

The SG511 ESFR Inline guard is designed for ESFR fire sprinkler heads. This guard uses the SG905 SprinkLOCK plate to secure the guard around the line fitting. If your application is an ESFR on an end of line fitting, please refer to the SG330 ESFR ADACAP.

• (Fits supply line sizes up to 3") •

2

1