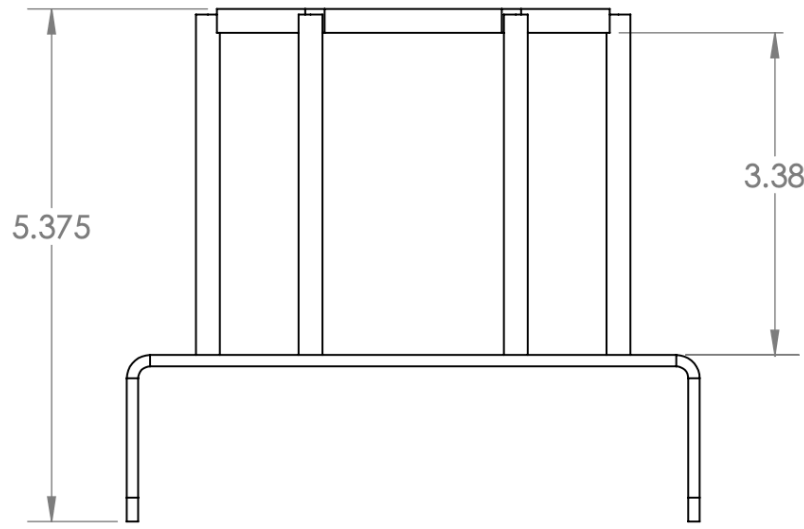


2

1

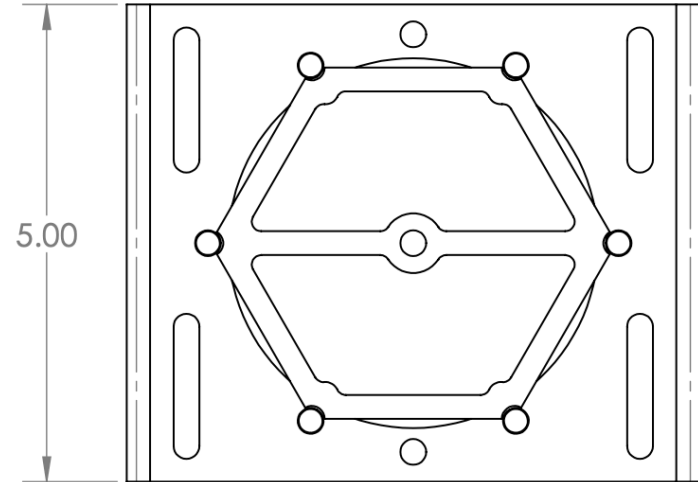


B

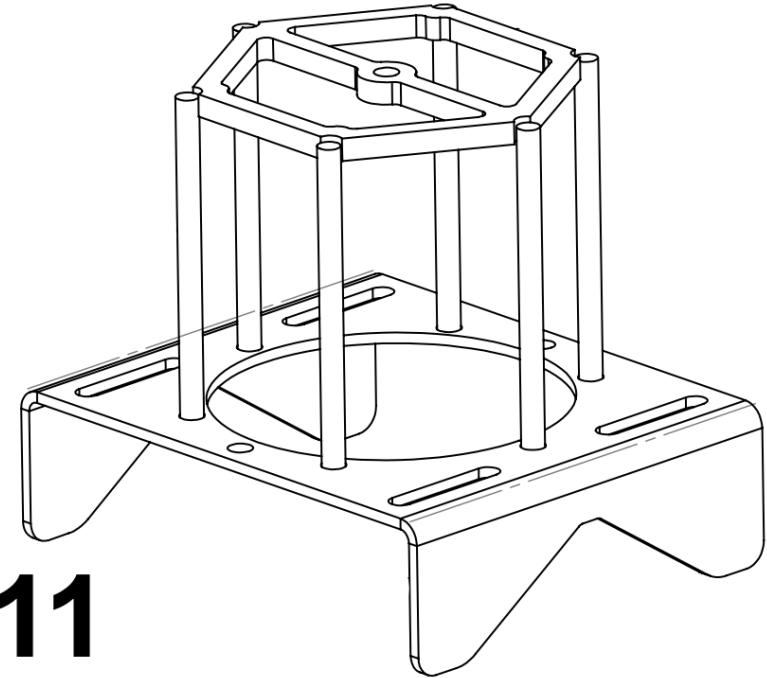


B

A



A



# SG211 INLINE CKE

The SG211 Inline guard is used to accommodate an existing sprinkler head with an attached water shield of up to 3.5" in diameter. This guard uses the SG905 SprinkLock plate to secure the guard around the line fitting.

**(Fits supply line sizes up to 3")**

2

1