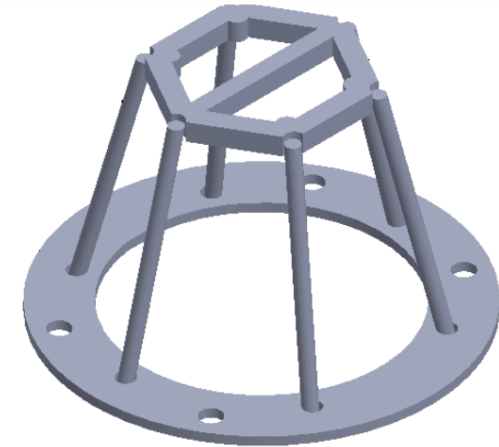
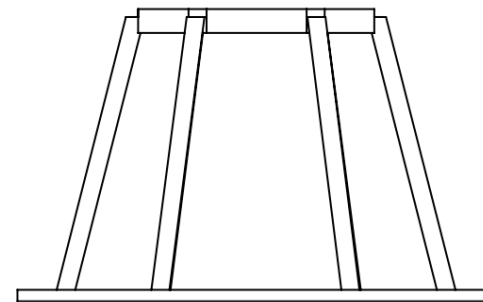
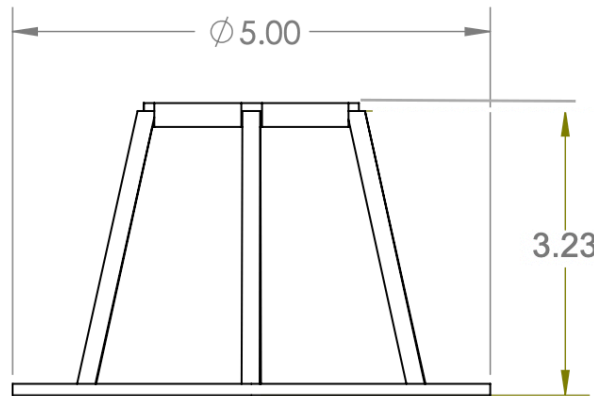
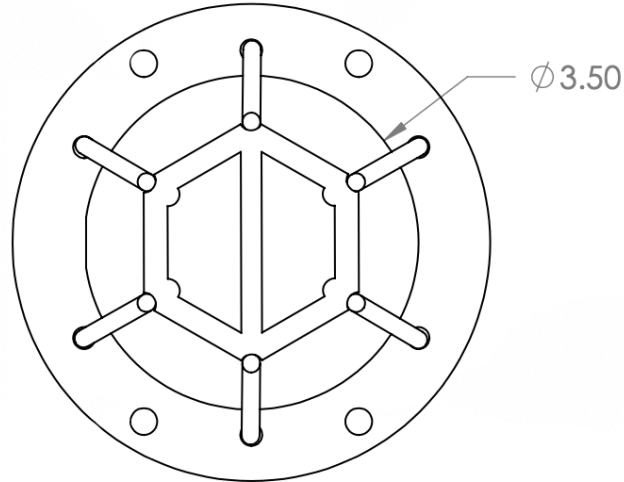


2

1



The SG101 Flush Mount is designed to protect sprinkler heads that are flush mounted in substrates such as gypsum board, paneling, masonry and various other surfaces. It has a maximum center opening that can accommodate escutcheons of up to 3.5". If your sprinkler is mounted in a Drop Tile / Acoustic Ceiling please refer to the SG106 Sprig / Drop guard.

# SG101 FLUSH MOUNT

[www.sprinkguard.com](http://www.sprinkguard.com) [info@sprinkguard.com](mailto:info@sprinkguard.com) 877-274-7976

Copyright 2023

2

1