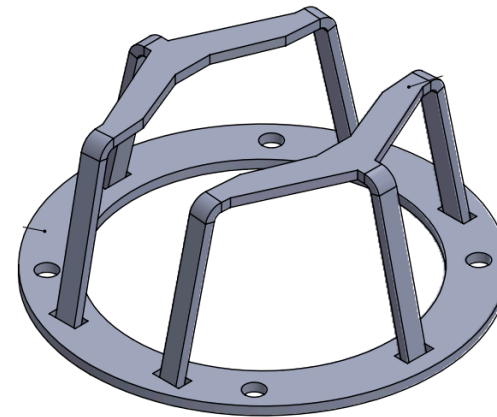
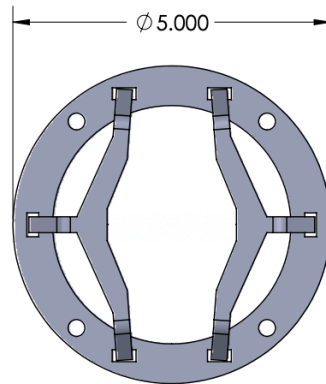
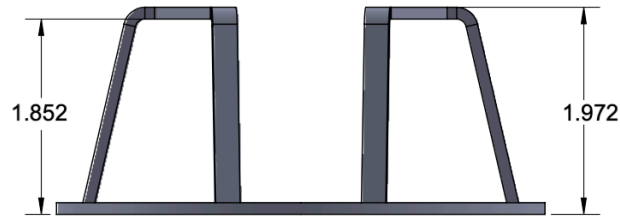




The SG104 Sidewall is designed to protect sprinkler heads that are sidewall mounted in substrates such as gypsum board, paneling, masonry and various other surfaces. It has a maximum center opening that can accommodate escutcheons of up to 3.75".



SG104 SIDEWALL